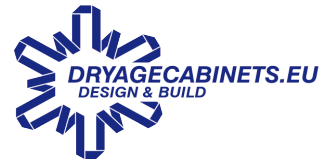


## VAN WEEL KOELTECHNIEK B.V.

Address: Hoofdweg 92  
2908 LC - Capelle a/d IJssel  
Business: 010 450 30 84  
Mobile: 06 518 36 116  
E-Mail: aad@vanweelkoeltechniek.nl  
Website: vanweelkoeltechniek.nl



## Dry Age Cabinet DAC2DRB

## RESUME

### TECHNICAL SPECIFICATIONS

- Plug & Play -
- Fully Electronically Controlled DAC System -
- 230 Volt | 1,3 Ampère -
- 250 Watt Power Consumption -
- 60 gr. R600A (Natural Refrigerant) -

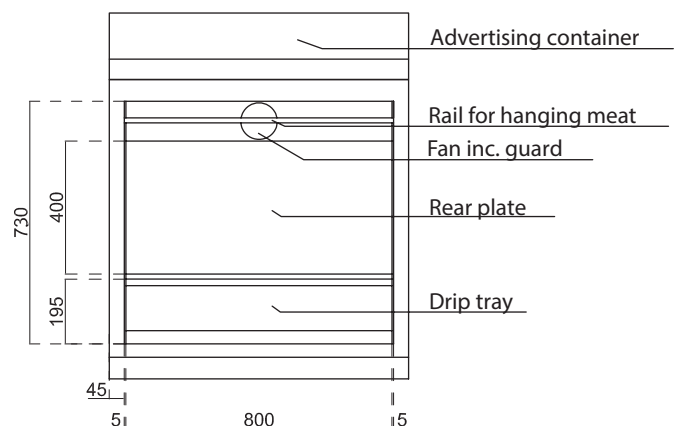
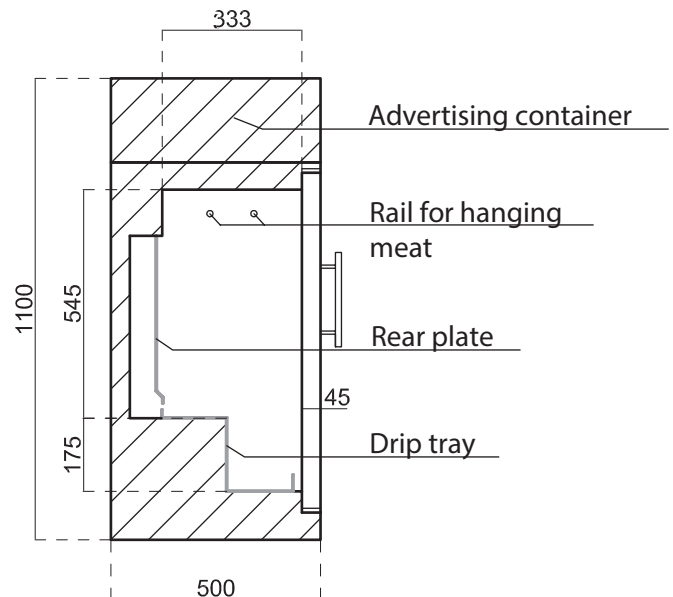
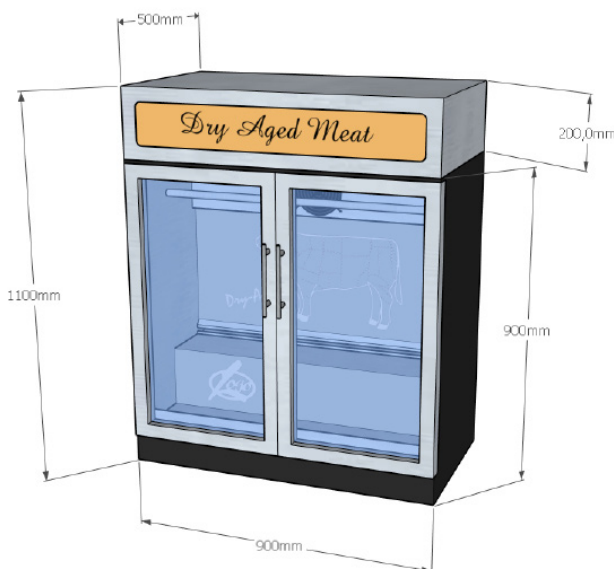
### EXTRA OPTIONS

- **Free** Custom Logo in your Drip Tray
- Custom Text Formatting, Type & Colour
- Lightfilters
- Meat Racks
- Himalayan Salt Blocks

## DIMENSIONS

### READINGS

**L 500 x D 900 x H 900 mm**  
Advertisement: + **H 200mm (1.100mm)**  
Weight: 74,0kg



### EXAMPLE FONTS

Amazon: *Dry Aged Meat*  
Auchen: *Dry Aged Meat*  
Dutch: **Dry Aged Meat**

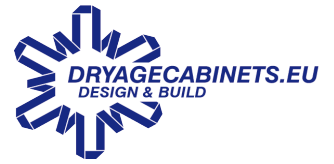
(choosing your own font is also possible)

General Delivery and Payment Conditions following the N.V.K.L., filled in at the District Court of The Hague on May 10, 1994 under No. 74/1994.



## VAN WEEL KOELTECHNIEK B.V.

Address: Hoofdweg 92  
2908 LC - Capelle a/d IJssel  
Business: 010 450 30 84  
Mobile: 06 518 36 116  
E-Mail: aad@vanweelkoeltechniek.nl  
Website: vanweelkoeltechniek.nl

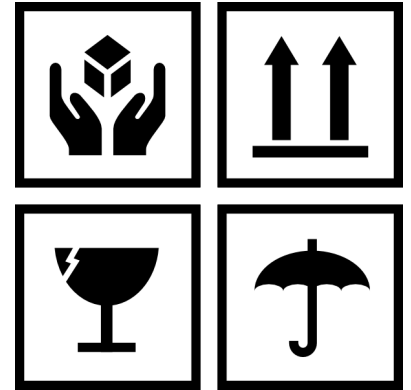
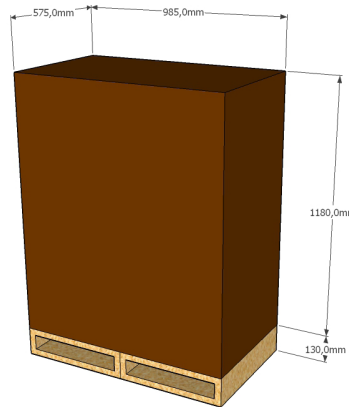


## Dry Age Cabinet DAC2DRB

# TRANSPORT

## DIMENSIONS

L 985 x D 575 x H 1.310mm  
(+ H 230mm = 1.540mm)  
Max. 110kg

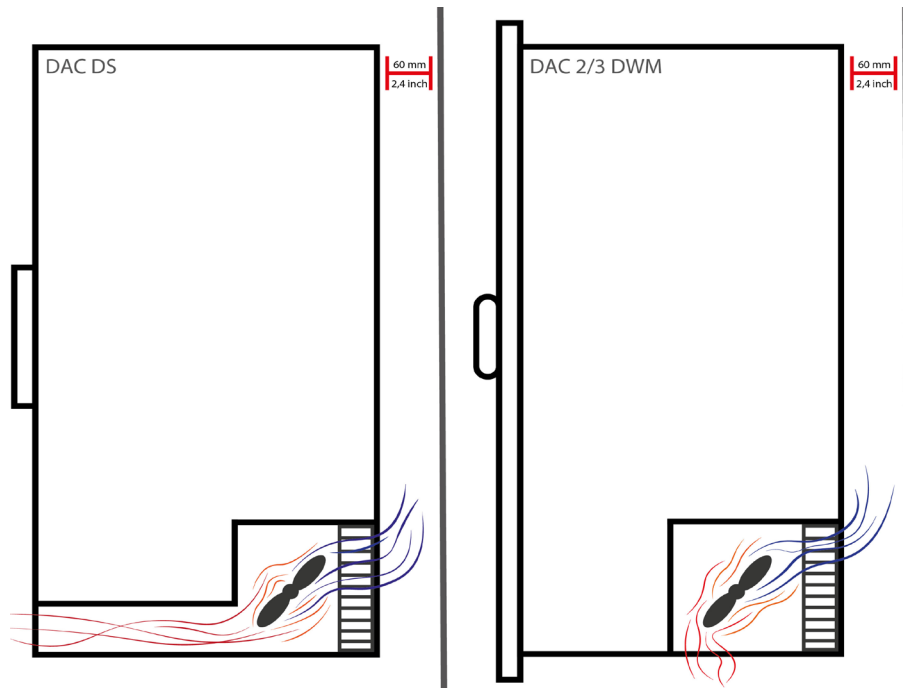


Transport according to terms  
and conditions of the transporter

# INSTALLATION

## PLACEMENT

Take care of the  
recommended  
space of 60mm / 2,4"  
at the back or fitting  
outlet at the bottom.



**Important**  
The hole in the  
bottom should  
agree to come  
forward with the  
air outlet.

Supplying clean  
air through the  
backside is  
required with  
the minimal dis-  
tance of 60mm  
or 2,4 inch.



## CONDENSERS

Not periodically cleaned condensers at  
the back of your DAC could result in  
irreparable damage.

General Delivery and Payment Conditions following the N.V.K.L., filled in at  
the District Court of The Hague on May 10, 1994 under No. 74/1994.

